

Splash! Series



This removable lifting system is designed for swimming facilities seeking to provide user-friendly access to their swimming pools.

- 3rd party tested & verified ADA compliant
- 400 lb/181.5 kg lifting capacity*
- Easily removable from stainless steel deck anchor
- Powered by the LiftOperator Intelligent Control System
- True operational redundancy – lift can be operated from the control box and the handset
- 359° rotation ensures a safe transfer area
- Made from powder-coated stainless steel and aluminum



*Lifting capacity of the Extended Reach model and Splash! 300 is 300 lb/136 kg

Model No.	Description	Shipping Wt.	L	W	H
300-0000	Splash!	281 lbs.	40"	48"	60"
350-0000	Splash! Hi/Lo	281 lbs.	40"	48"	60"
370-0000	Splash! Extended Reach	381 lbs.	40"	48"	78"
375-0000	Splash! Spa	281 lbs.	40"	48"	60"
390-0000	Splash! California Package*	275 lbs.	40"	48"	60"
390-2000	Splash! ER California Package*	275 lbs.	40"	48"	88"
385-0000	Splash! ER Hi/Lo	281 lbs.	40"	48"	88"

Descriptions for other variations:

- Splash! Hi/Lo – A variation of the Splash! useful for facilities that have both in-ground pools and above ground spas.
- Splash! Spa – Designed for use with spas up to 48" above the deck.
- Splash! Extended Reach – For use with pools with unusual gutter configurations requiring a longer reach.
- Splash! ER Hi/Lo – For facilities that have both in-ground pools and above ground spas, requiring a longer reach than the Splash Hi/Lo
- Splash! 300 - Features easier installation (compared to the standard Splash!) because it can be installed by core drilling, with no additional footings required on a standard 4" deck.

Includes battery, charger, battery console cover, waterproof control, stainless steel anchor socket with cover, footrest and seat belt assembly.

To order Splash! 300 models, use the following part numbers: 300-3000 for Splash! 300, 350-3000 for Splash! 300 Hi/Lo, 375-3000 for Splash! 300 Spa

To order lifts with arm rests, drop the 0 on the end of the part number and add a 5 — so the 300-0000 becomes 300-0005 for a Splash! with arm rests.

To order a lift with an Activation Key (for LiftOperator), add a K to the end of the part number.

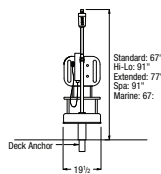
* California package includes arm rests, cover and spineboard attachment.

Special Splash! lifts to retrofit into round anchor sockets are also available. Please contact Customer Service for more information. Ships Class 85.

Accessories:

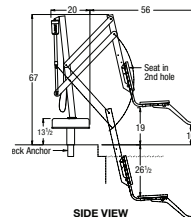
- 400-0000 Caddy
- 170-1000 Arm Rest Assembly
- 940-3000 Total Cover
- 900-4000 Seat Pad
- 500-1000 Spineboard Attachment
- 900-2000 Stability Vest
- 300-6200 Anchor & Cap

A completed Deck Profile form is required with your pool lift order.

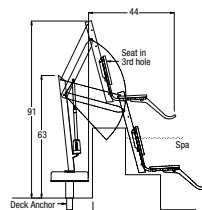
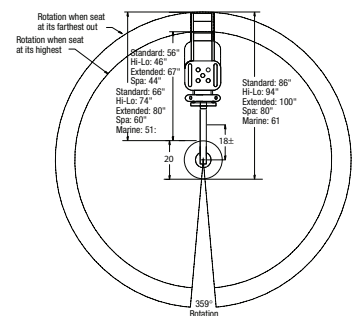


BACK VIEW

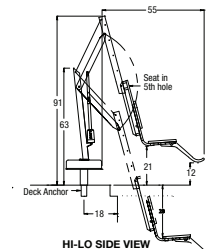
Seat is 18" wide



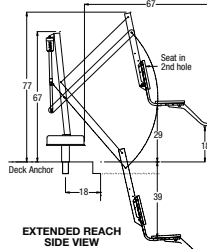
SIDE VIEW



SPA SIDE VIEW



HI-LO SIDE VIEW



EXTENDED REACH SIDE VIEW

