

SRE-2010 POWER OPTIONS TYPICAL DRAWING

SUPPLEMENTAL SEAT AND FOOTREST DIMENSION FOR POWER OPTIONS

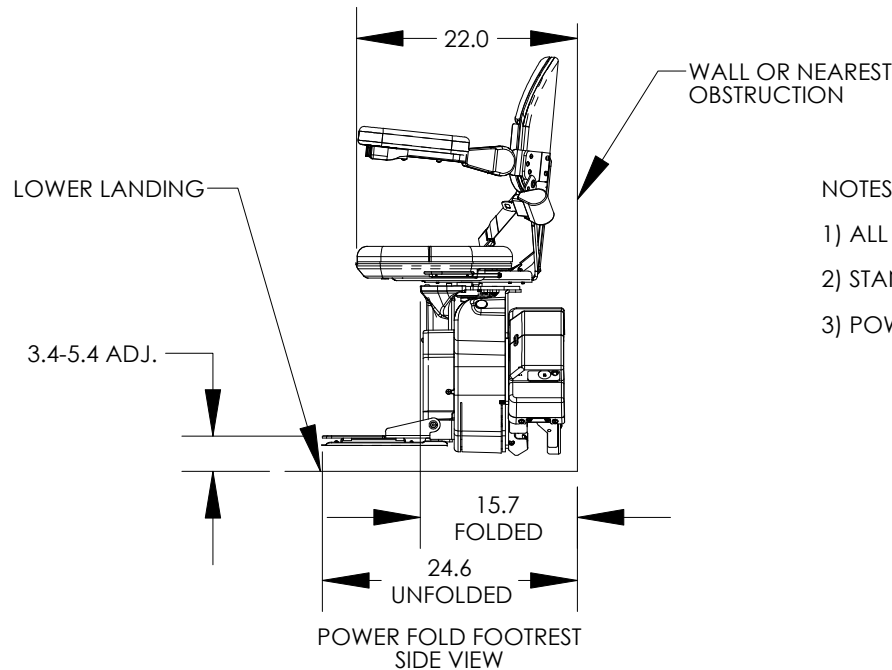
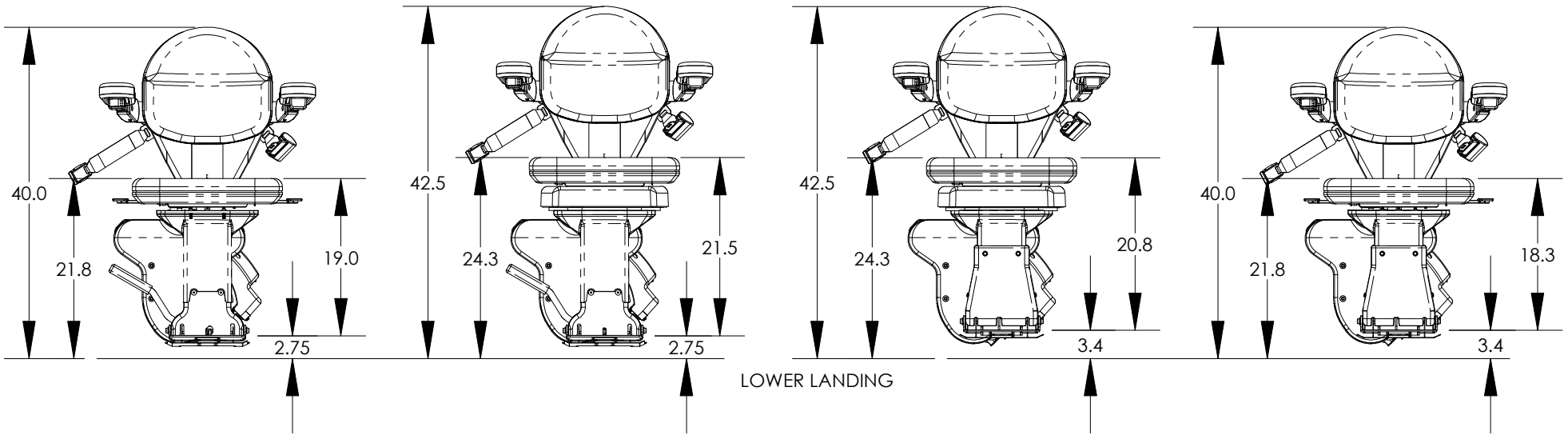
CARRIAGE AND SEAT ELEVATION VIEW
SEAT AND FOOTREST SHOWN IN LOWEST POSITIONS
FOR RIGHT HAND INSTALLATIONS

STANDARD SRE-2010

POWER SWIVEL SEAT ONLY
SRE-2010

POWER SWIVEL SEAT &
POWER FOOTREST
SRE-2010

POWER FOOTREST ONLY
SRE-2010



NOTES:

- 1) ALL SEATS ADJUST UP 3" IN 1" INCREMENTS
- 2) STANDARD FOOTREST ADJUST UP 1 1/4" IN 5/8" INCREMENTS
- 3) POWER FOOTREST ADJUST UP 2" IN 1" INCREMENTS