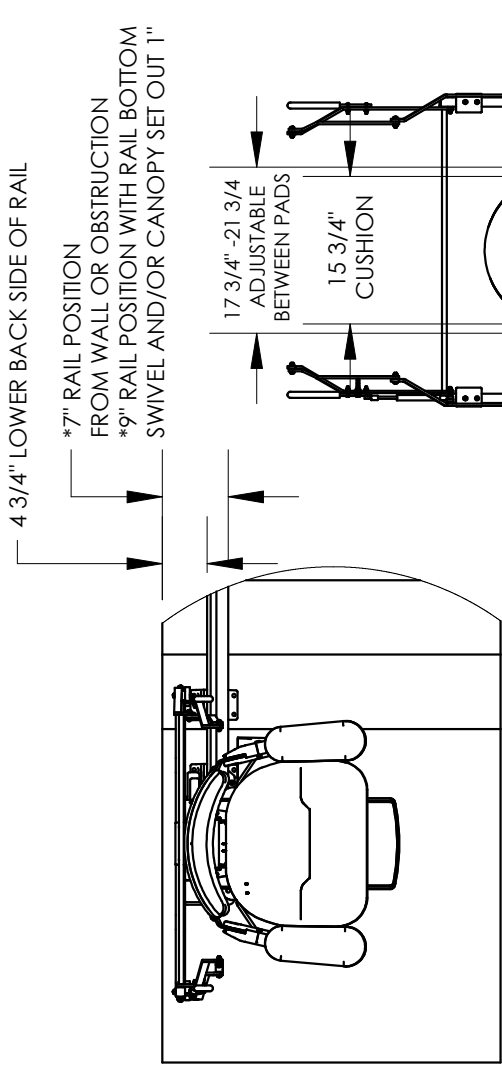


## TECHNICAL DATA/SPECIFICATION

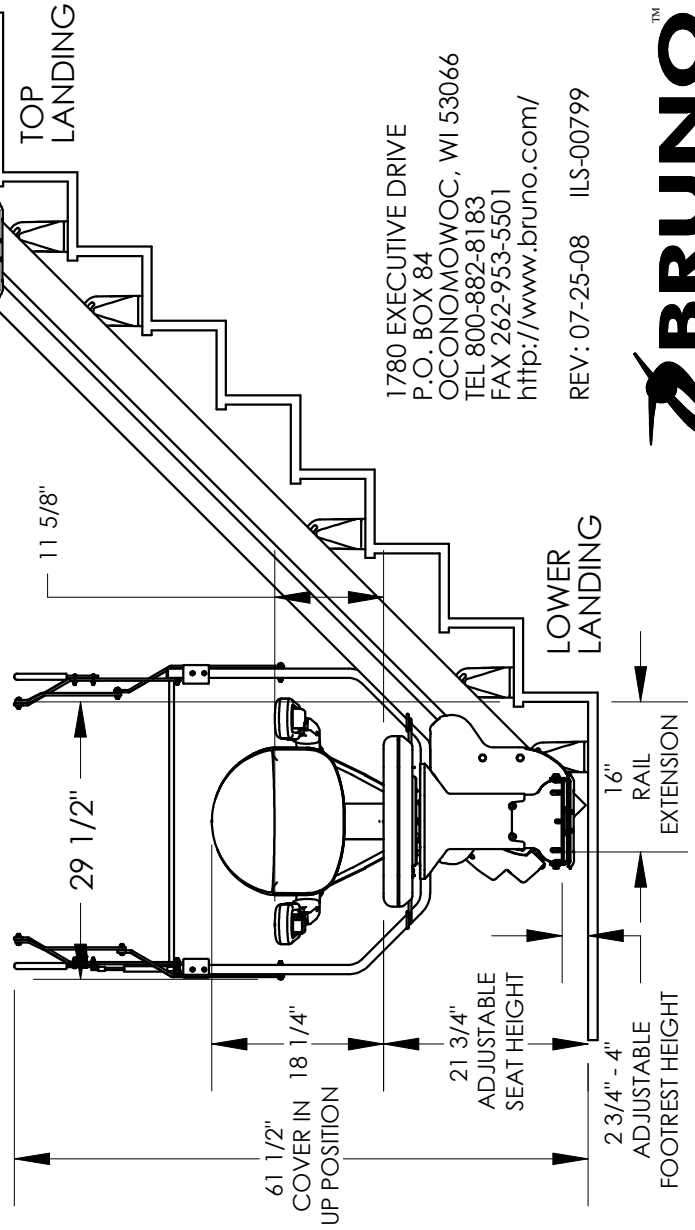
MODEL: SRE-2010E OUTDOOR ELECTRA-RIDE ELITE  
 RATED LOAD: 400 LBS, ONE PASSENGER  
 POWER SOURCE: 24 VOLT DC COMPRISED OF (2) 7 AMP/HR  
 12 VOLT SEALED BATTERIES  
 110 VOLT AC 1.5 AMP, 24 VOLT DC 2 AMP  
 CONTINUOUS MONITORING CHARGER.  
 DRIVE: 24 VOLT DC DIRECT DRIVE GEAR-MOTOR, 2 POLE  
 RATED .68 HP, 58:1 RIGHT ANGLE SELF LOCKING  
 GEARBOX, 41.5 RPM NO LOAD RPM OUTPUT SPEED.  
 SUSPENSION: RACK & PINION - INTEGRATED 8DP GEAR RACK  
 ON RAIL WITH A SPUR GEAR ON THE OUTPUT  
 SHAFT OF THE GEAR BOX.  
 BRAKING: DYNAMIC MOTOR BRAKING THROUGH THE MOTOR  
 CONTROLLER, SELF LOCKING WORM GEAR, AND  
 ELECTRO-MECHANICAL MOTOR BRAKE.  
 CONTROLS: CONTINUOUS PRESSURE ROCKER SWITCH LOCATED  
 ON THE ARM REST AND WALL MOUNTED CALL/SEND  
 CONTROLS LOCATED AT BOTH THE TOP AND BOTTOM  
 LANDINGS.  
 ANGLES: 0 TO 45 DEGREES (SPECIALS UP TO 50 DEGREES) RIGHT  
 OR LEFT HAND ORIENTATIONS.  
 FINAL LIMIT SWITCH STANDARD  
 KEYED CALL/SEND CONTROLS STANDARD  
 KEYED CONTROL ON CHAIR STANDARD



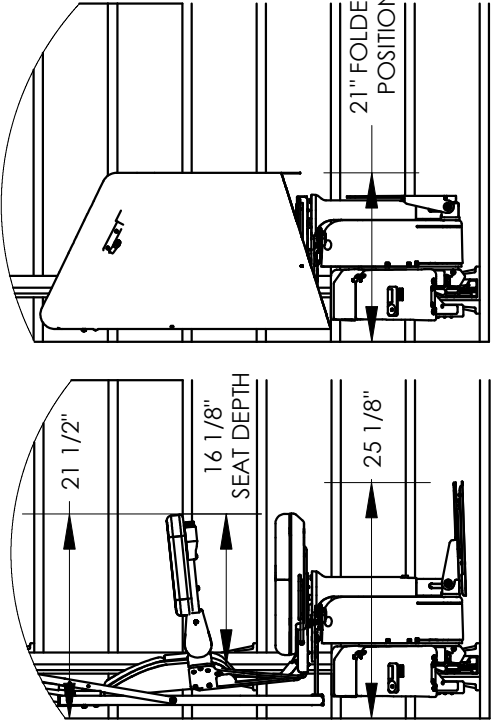
TOP VIEW

ELEVATION VIEW

LOWER LANDING EXTENSION DIMENSIONS ARE  
 BASED ON 45 DEGREE RAIL SLOPE ON AN  
 8" 1ST RISER HEIGHT, DIMENSIONS WILL VARY  
 BASED ON SLOPE AND RISER HEIGHT



SIDE VIEWS



1780 EXECUTIVE DRIVE  
 P.O. BOX 84  
 OCONOMOWOC, WI 53066  
 TEL 800-882-8183  
 FAX 262-953-5501  
<http://www.bruno.com/>

REV: 07-25-08 ILS-00799