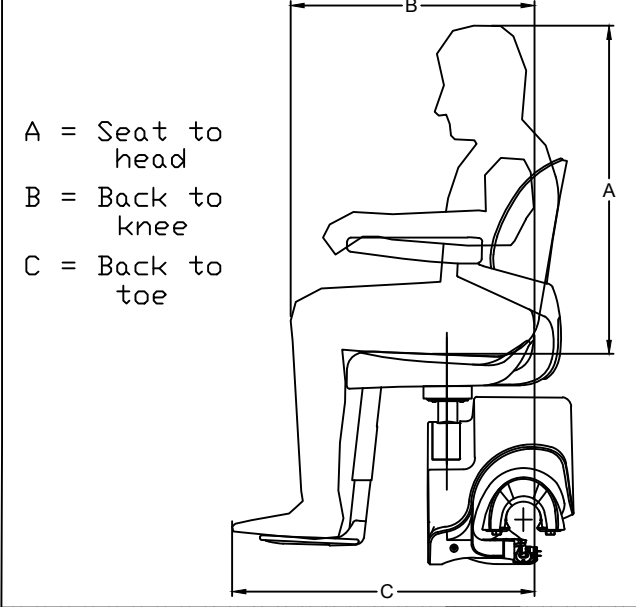
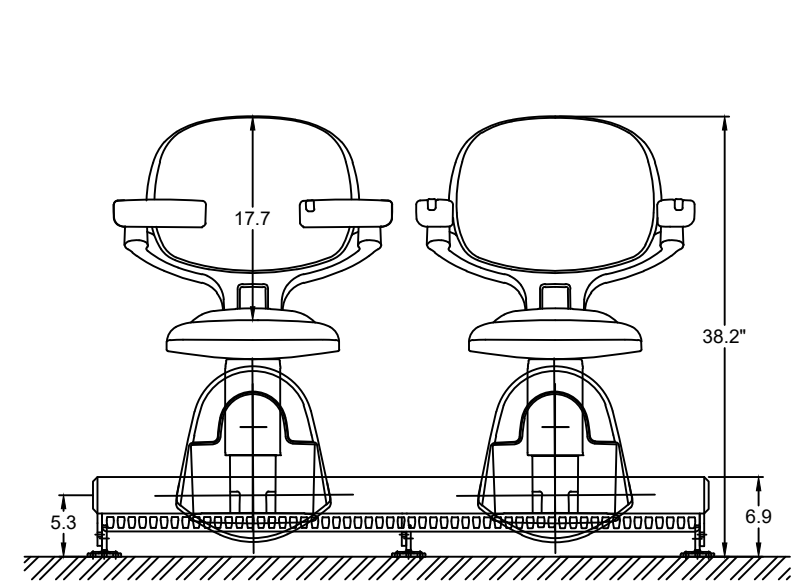
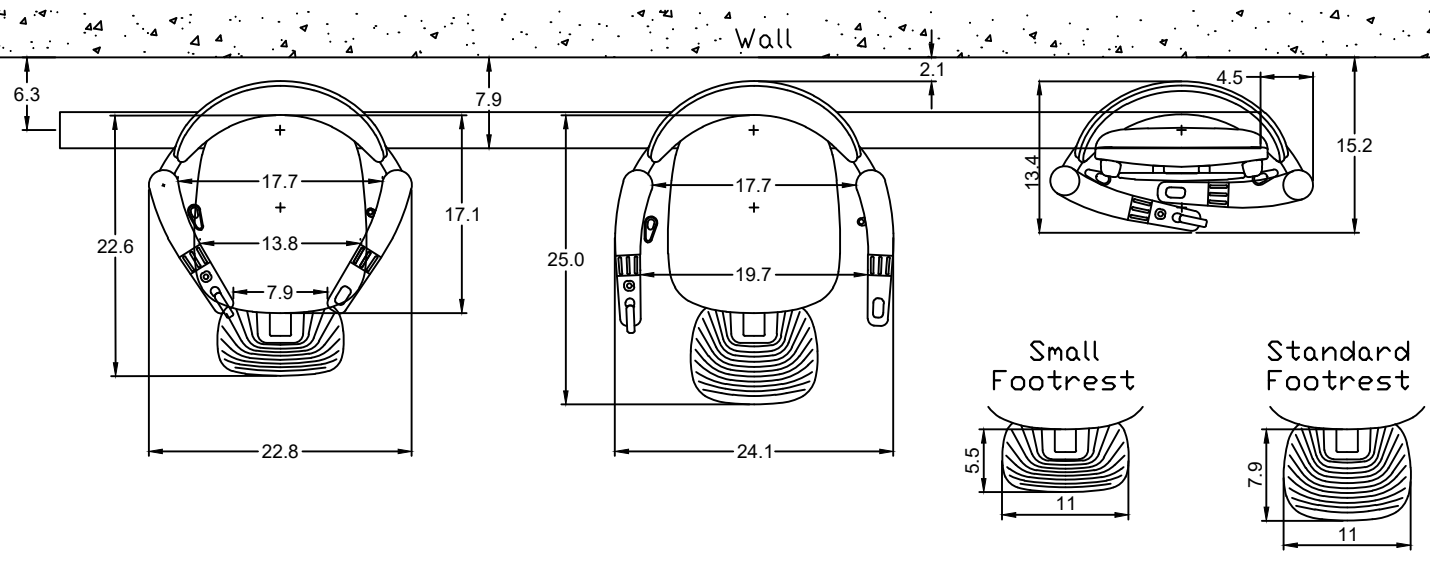
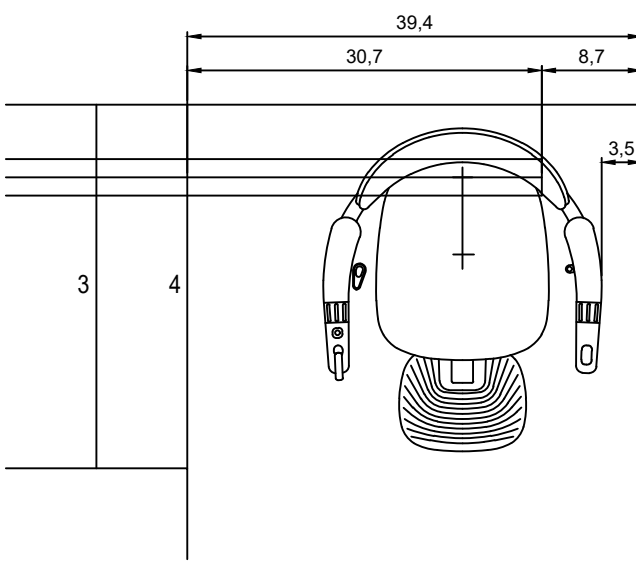


# Chair Dimensions

# User Dimensions



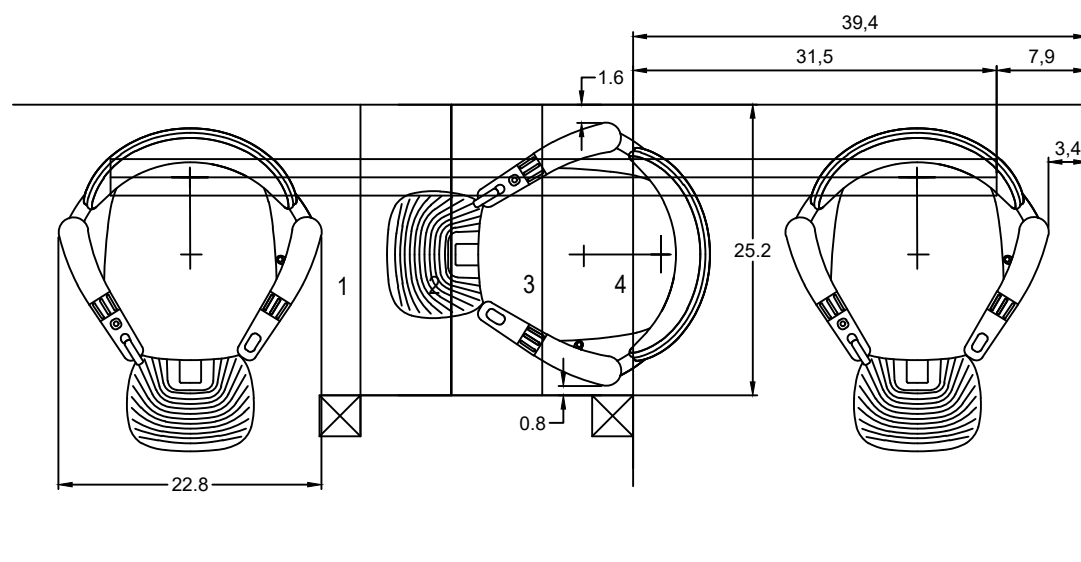
## Straight Armrests



Only available on stair widths 31.9" or greater. This is due to the design specification from the manufacturer.

To get a safe armrest to wall gap, the maximum overrun can be the full landing length minus 8.7". This gives 3.5" clearance.

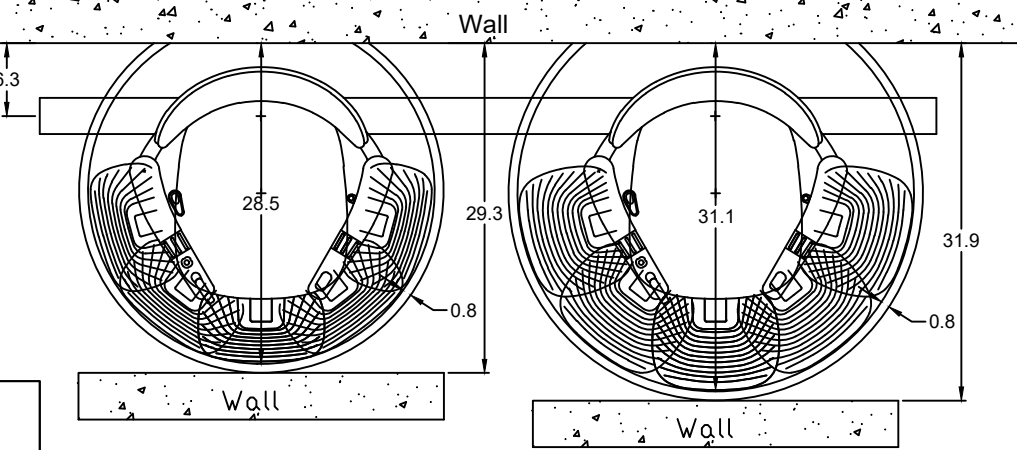
## Curved Armrests



Can fit on stairs with a stair width as small as 25.2" with ASL only. Feasibility request for narrower stair widths.

To get a safe armrest to wall gap, the maximum overrun can be the full landing length minus 7.9". This gives 3.4" clearance.

## Turning Circle/Widths



Standard footrest + any type of swivel 31.9" is required. This provides a 0.8" clearance.

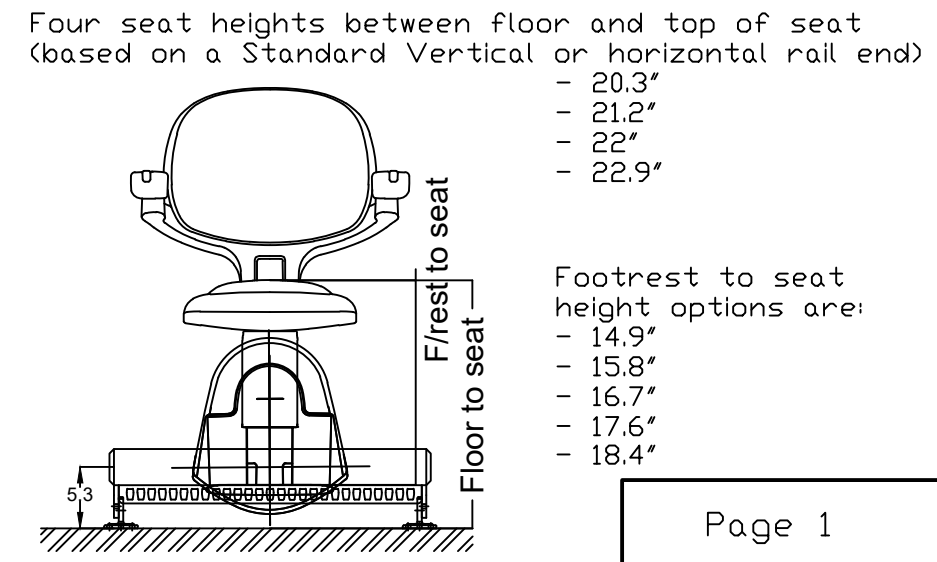
Small footrest + any type of swivel 28.5" is required. This provides a 0.8" clearance.

These measurements are due to the manufacturers specifications and also takes into account various angles of bends.

Any staircase under 28.9" ASL and curved arms are needed. Footrest size depends on space available for swivel at landings (information above).

\* All measurements are based on a back to knee (BTK) user measurement of 23.6" or less. If the user BTK measurement is over 23.6", add the additional to the specified widths required \*

## Seat Heights



ACCESS

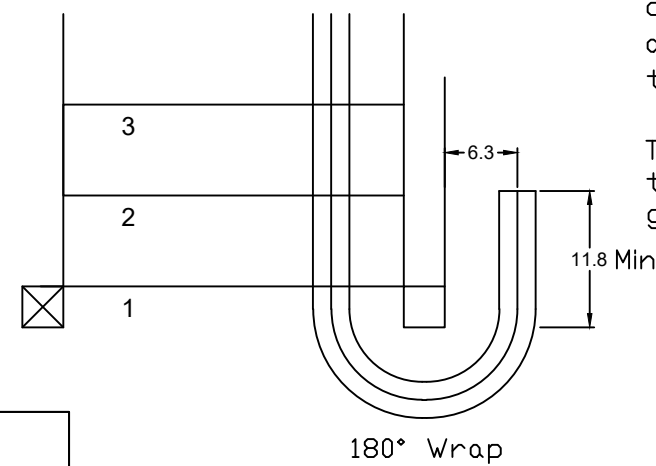
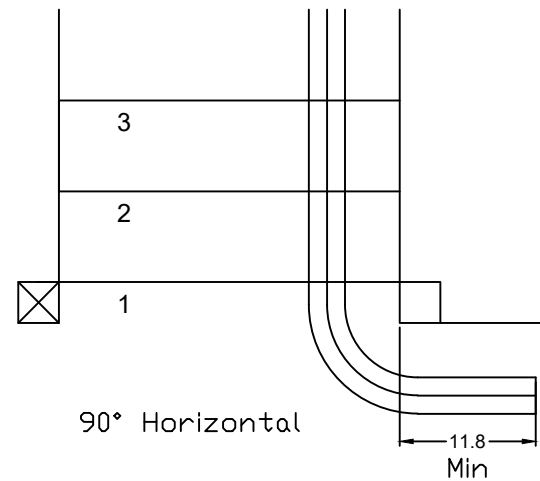
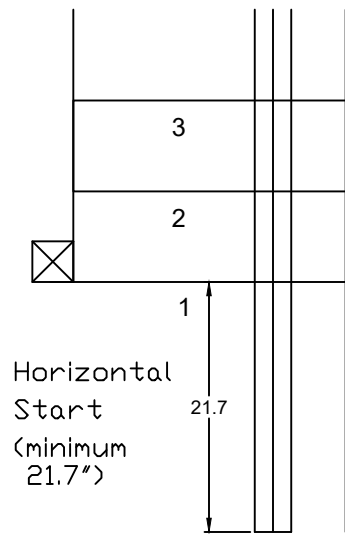
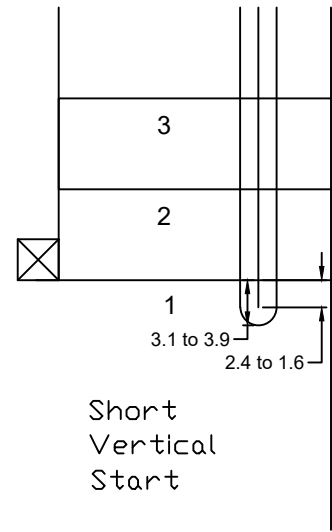
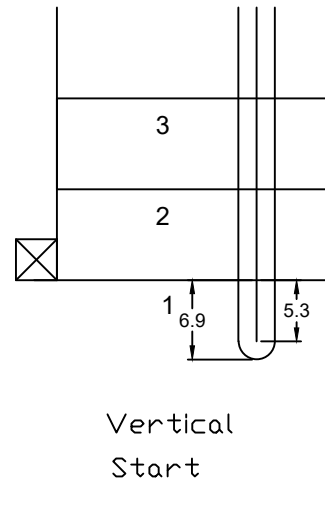
UNIT E3, EAGLE COURT  
DE HAVILLAND AVENUE  
PRESTON FARM BUSINESS PARK  
STOCKTON TS18 3TB  
TEL: 01642 853650

Flow X  
Technical drawing info - Chair

ISO 2768-cl All measurements in inches

Page 1  
Version 1.1  
SCALE N.T.S.

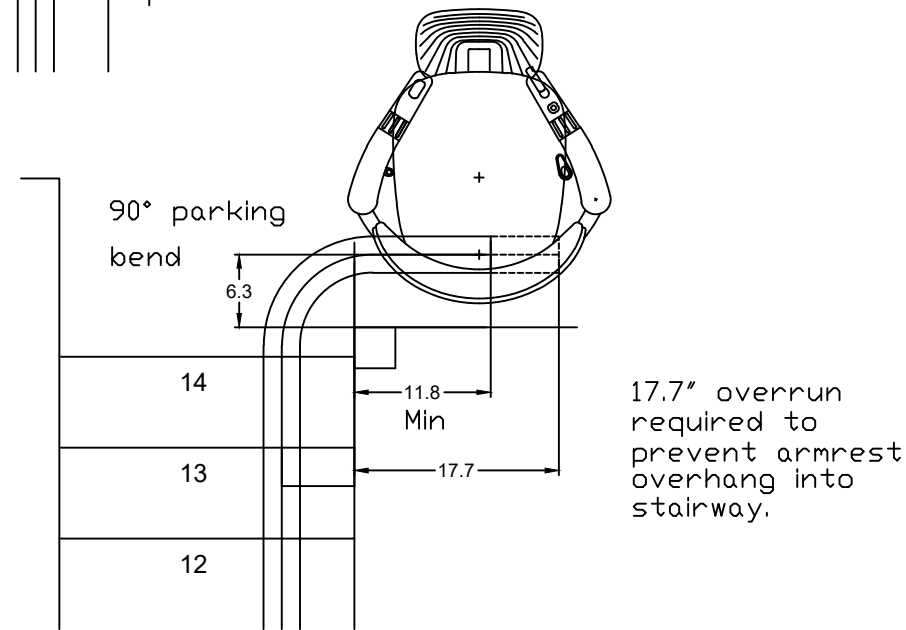
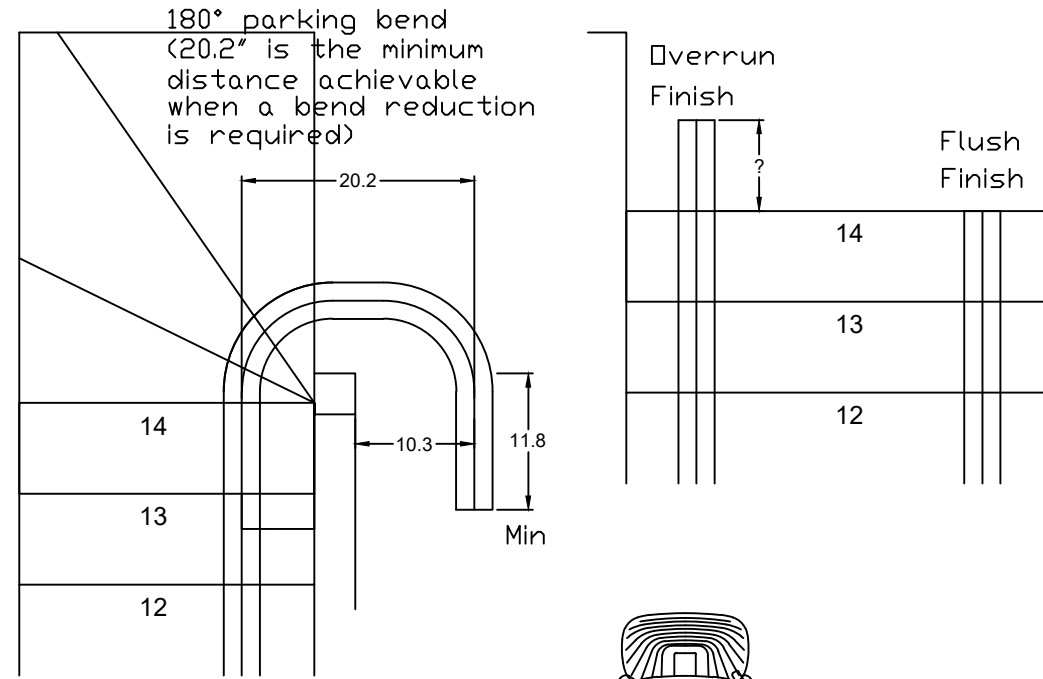
# Rail Start Options



90° and 180° vertical starts are also available. However the rail can be very high as it goes around the bend.

The horizontal starts keep the rail low to the stairs, giving a smoother ride.

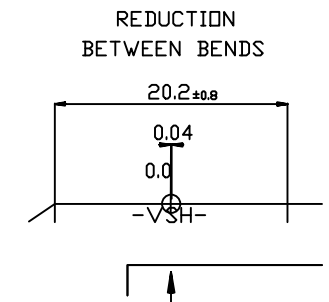
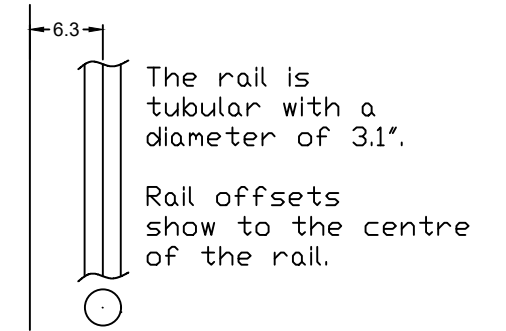
# Rail End Options



# Additional Drawing Info

ENDPOS.: 182706  
SEATHEIGHT: 900  
SWIVEL: autoride  
PITCH: 2696  
RAILLENGTH: 5712  
INST. TOLERANCE: ±20mm  
PROGRAM VERSION: FL704

This refers to the tolerance of plus or minus 20mm on rail dimensions



This applies to Top Horizontal 180 wraps. It means that the overall wrap distance is set at the minimum. \*See 180 top wrap finish option\*

ACCESS

UNIT E3, EAGLE COURT  
DE HAVILLAND AVENUE  
PRESTON FARM BUSINESS PARK  
STOCKTON TS18 3TB  
TEL: 01642 853650

Flow X  
Technical drawing info - Rail

ISO 2768-cl

All measurements in inches

Page 2

Version 1.1

SCALE N.T.S.